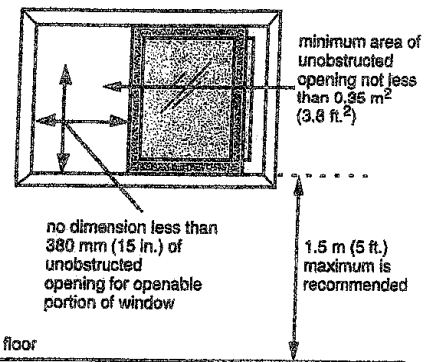




# BASEMENT BEDROOMS

## BEDROOM WINDOWS

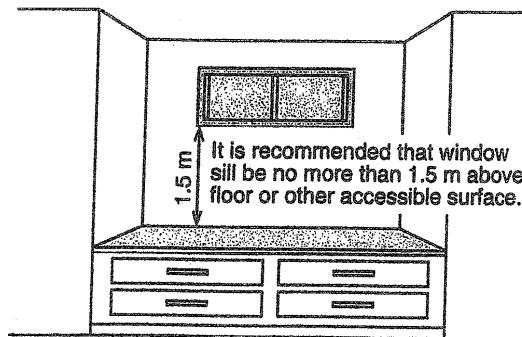
Unless the dwelling unit basement has a doorway directly to the exterior, every basement that has a bedroom must be provided with at least one outside window that can be opened from the inside without the use of additional support or tools to provide an emergency means of escape or rescue. These windows must have an unobstructed opening with a minimum area of 0.35 m<sup>2</sup> (3.8 ft<sup>2</sup>) with no dimension less than 380 mm (15 in.).



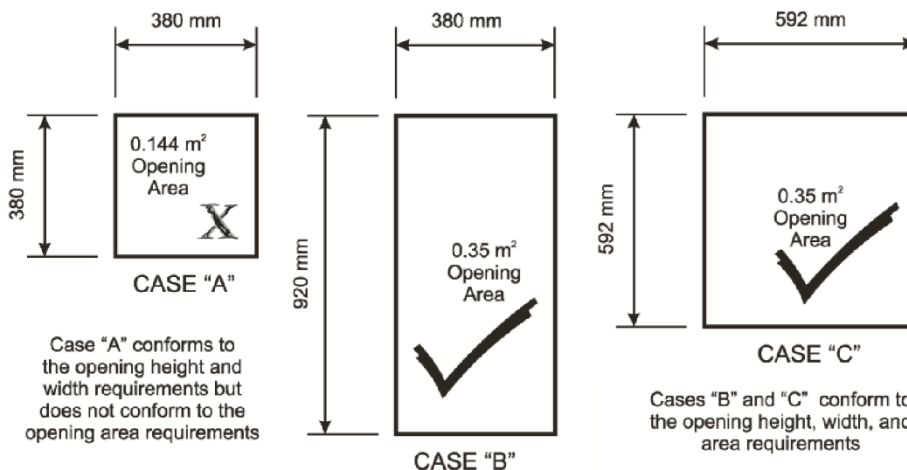
Egress windows serving floor areas containing bedrooms

## WINDOWS SILLS

It is recommended that sills of windows intended for emergency exit be no more than 1.5 m (5 ft) above the floor. Where this is difficult to provide (such as with basement bedroom windows), access to the windows can be improved through means of built in furniture beneath the window.



Access to egress windows



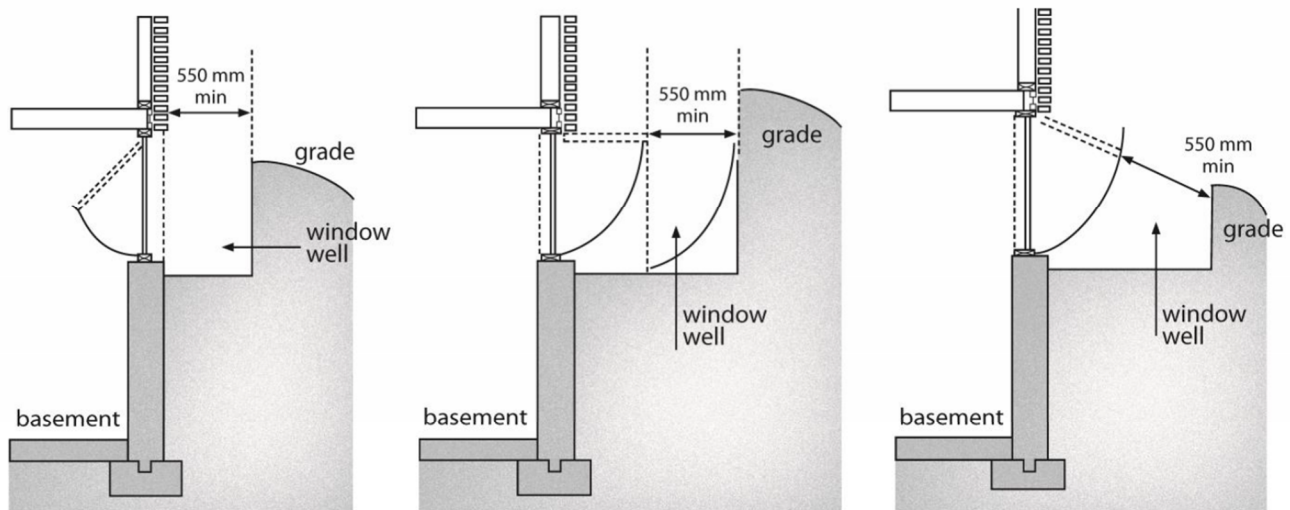
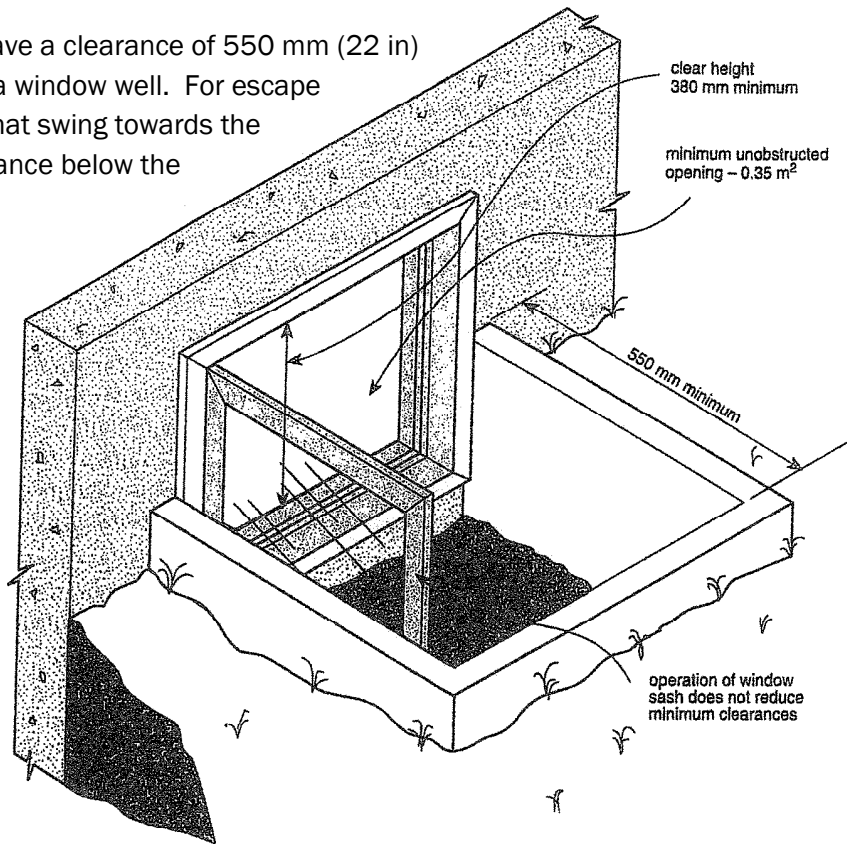
## WINDOWS OPENING INTO WINDOW WELLS

The emergency egress window must have a clearance of 550 mm (22 in) in front of the window if it opens into a window well. For escape in emergencies, the sash of windows that swing towards the window well must not reduce the clearance below the required minimum.

Some egress windows that incorporate a hold open may require additional headroom to engage the mechanism.

## SMOKE DETECTORS

Every bedroom is required to be provided with an interconnected smoke detector inside the bedroom in addition to an interconnected smoke/co detector located within close proximity to the bedroom door outside of the bedroom. CO detectors may be required within the bedroom in most cases.



**Figure A-9.9.10.1.(3)**  
**Windows Providing a Means of Escape that Open into a Window Well.**